

## Trenchers 2.5-5t / 5,500-11,000lbs

## MT600 / MT900

The robust trenchers MT600 and MT900 for mini excavators with up to 5t / 5,500lbs operating weight, mini loaders and skidsteer loaders make your work easy and fast e.g. when placing gas and water pipes, electric or fibre optic cables, for drainages or irrigations, etc.

- ▷ **Variable trench widths** from 100mm / 3.9in - 300mm / 11.8in possible.
- ▷ **Adjustable depth control** allows for 3 different depth settings.
- ▷ **Different mounting options** available: side shift frame, mini loader frame and excavator hitch.
- ▷ **Wear parts easily exchanged on site.**
- ▷ Dirt being removed from the trench is placed off to one side due to the **single sided auger - effortless backfilling.**
- ▷ **Three different chain options** available: earth, combination and tungsten.



MT900

Request? exc@kinshofer.com

### Trenchers MT600 and MT900

Type	Operating weight (t/lbs)	Drive width (mm/in)	Drive height (mm/in)	Drive length (mm/in)	Weight* (kg/lbs)	Trenching width** (mm/in)	Depth settings A - B - C (mm/in)
MT600	2.5 - 4.5 / 5,500 - 9,900	850 / 33.4	736 / 28.9	1,465 / 57.6	230 / 506	100 - 200 / 3.9 - 7.8	300 - 450 - 600 / 11.8 - 17.7 - 23.6
MT900	3 - 5 / 6,600 - 11,000	850 / 33.4	736 / 28.9	1,800 / 70.8	243 / 534.6	100 - 300 / 3.9 - 11.8	600 - 750 - 900 / 23.6 - 29.5 - 35.4

\*without motor and chain \*\* depending on chain

**Package consists of:** trencher, depth control plate, lateral auger

### Chain options

Type	Description
MT600-100 Earth	with earth teeth for soft soils, width 100mm/3.9in
MT600-150 Earth	with earth teeth for soft soils, width 150mm/5.9in
MT600-200 Earth	with earth teeth for soft soils, width 200mm/7.8in
MT600-100 Combi	with earth and tungsten teeth for different soils, width 100mm/3.9in
MT600-150 Combi	with earth and tungsten teeth for different soils, width 150mm/5.9in
MT600-200 Combi	with earth and tungsten teeth for different soils, width 200mm/7.8in
MT600-100 Tungsten	with tungsten teeth for asphalt and frozen soils, width 100mm/3.9in
MT600-150 Tungsten	with tungsten teeth for asphalt and frozen soils, width 150mm/5.9in
MT600-200 Tungsten	with tungsten teeth for asphalt and frozen soils, width 200mm/7.8in
MT900-100 Earth	with earth teeth for soft soils, width 100mm/3.9in
MT900-150 Earth	with earth teeth for soft soils, width 150mm/5.9in
MT900-200 Earth	with earth teeth for soft soils, width 200mm/7.8in
MT900-300 Earth	with earth teeth for soft soils, width 300mm/11.8in
MT900-100 Combi	with earth and tungsten teeth for different soils, width 100mm/3.9in
MT900-150 Combi	with earth and tungsten teeth for different soils, width 150mm/5.9in
MT900-200 Combi	with earth and tungsten teeth for different soils, width 200mm/7.8in
MT900-300 Combi	with earth and tungsten teeth for different soils, width 300mm/11.8in
MT900-100 Tungsten	with tungsten teeth for asphalt and frozen soils, width 100mm/3.9in
MT900-150 Tungsten	with tungsten teeth for asphalt and frozen soils, width 150mm/5.9in
MT900-200 Tungsten	with tungsten teeth for asphalt and frozen soils, width 200mm/7.8in
MT900-300 Tungsten	with tungsten teeth for asphalt and frozen soils, width 300mm/11.8in

### Technical data

	MT600	MT900
Hydraulic pressure range:	160 - 240 bar / 2,320 - 3,480 psi	180 - 240 bar / 2,610 - 3,480 psi
Oil flow:	35 - 65 l/min / 9 - 17.2 GPM	45 - 80 l/min / 11.8 - 21 GPM

## Trenchers 5-10t / 11,000-22,000lbs

## XHD900 / XHD1200 / XHD1500

The robust trenchers for excavators with up to 10t / 22,000lbs operating weight and skidsteer loaders make your work easy and fast e.g. when placing gas and water pipes, electric or fibre optic cables, for drainages or irrigations, etc.

- ▷ **Variable trench widths** from 150mm / 5.9in - 350mm / 13.7in possible.
- ▷ **Adjustable depth control** allows for 3 different depth settings.
- ▷ **Different mounting options** available: side shift frame and excavator hitch.
- ▷ **Wear parts easily exchanged** on site.
- ▷ Dirt being removed from the trench is placed off to one side due to the single sided auger - **effortless backfilling**.
- ▷ **Three different chain options** available: earth, combination and tungsten.



XHD1500

### Trenchers XHD900 / XHD1200 / XHD1500

Type	Operating weight (t/lbs)	Drive width (mm/in)	Drive height (mm/in)	Drive length (mm/in)	Weight* (kg/lbs)	Trenching width** (mm/in)	Depth settings A - B - C (mm/in)
XHD900-2K	5 - 7.5 / 11,000 - 16,500	1,018 / 40	808 / 31.8	1,962 / 77.2	420 / 924	150 - 350 / 5.9 - 13.7	600 - 750 - 900 / 23.6 - 29.5 - 35.4
XHD900-4K	5 - 7.5 / 11,000 - 16,500	1,018 / 40	808 / 31.8	1,962 / 77.2	420 / 924	150 - 350 / 5.9 - 13.7	600 - 750 - 900 / 23.6 - 29.5 - 35.4
XHD1200-2K	5 - 7.5 / 11,000 - 16,500	1,018 / 40	808 / 31.8	2,262 / 89	439 / 965.8	150 - 300 / 5.9 - 11.8	800 - 1,000 - 1,200 / 31.4 - 39.3 - 47.2
XHD1200-4K	5 - 7.5 / 11,000 - 16,500	1,018 / 40	808 / 31.8	2,262 / 89	439 / 965.8	150 - 300 / 5.9 - 11.8	800 - 1,000 - 1,200 / 31.4 - 39.3 - 47.2
XHD1500-4K	5 - 10 / 11,000 - 22,000	1,018 / 40	808 / 31.8	2,562 / 100.8	460 / 1012	150 - 200 / 5.9 - 7.8	1,000 - 1,250 - 1,500 / 39.3 - 49.2 - 59.0

\*without motor and chain \*\* depending on chain

**Package consists of:** trencher, depth control plate, lateral auger

### Chain options

Type	Description
XHD900-150 Earth	with earth teeth for soft grounds, width 150mm/5.9in
XHD900-200 Earth	with earth teeth for soft grounds, width 200mm/7.8in
XHD900-250 Earth	with earth teeth for soft grounds, width 250mm/9.8in
XHD900-300 Earth	with earth teeth for soft grounds, width 300mm/11.8in
XHD900-350 Earth	with earth teeth for soft grounds, width 350mm/13.7in
XHD900-150 Combi	with earth and tungsten teeth for different grounds, width 150mm/5.9in
XHD900-200 Combi	with earth and tungsten teeth for different grounds, width 200mm/7.8in
XHD900-250 Combi	with earth and tungsten teeth for different grounds, width 250mm/9.8in
XHD900-300 Combi	with earth and tungsten teeth for different grounds, width 300mm/11.8in
XHD900-350 Combi	with earth and tungsten teeth for different grounds, width 350mm/13.7in
XHD900-150 Tungsten	with tungsten teeth for asphalt and frozen grounds, width 150mm/5.9in
XHD900-200 Tungsten	with tungsten teeth for asphalt and frozen grounds, width 200mm/7.8in
XHD900-250 Tungsten	with tungsten teeth for asphalt and frozen grounds, width 250mm/9.8in
XHD900-300 Tungsten	with tungsten teeth for asphalt and frozen grounds, width 300mm/11.8in
XHD900-350 Tungsten	with tungsten teeth for asphalt and frozen grounds, width 350mm/13.7in
XHD1200-150 Earth	with earth teeth for soft grounds, width 150mm/5.9in
XHD1200-200 Earth	with earth teeth for soft grounds, width 200mm/7.8in
XHD1200-250 Earth	with earth teeth for soft grounds, width 250mm/9.8in
XHD1200-300 Earth	with earth teeth for soft grounds, width 300mm/11.8in
XHD1200-150 Combi	with earth and tungsten teeth for different grounds, width 150mm/5.9in
XHD1200-200 Combi	with earth and tungsten teeth for different grounds, width 200mm/7.8in
XHD1200-250 Combi	with earth and tungsten teeth for different grounds, width 250mm/9.8in
XHD1200-300 Combi	with earth and tungsten teeth for different grounds, width 300mm/11.8in
XHD1200-150 Tungsten	with tungsten teeth for asphalt and frozen grounds, width 150mm/5.9in
XHD1200-200 Tungsten	with tungsten teeth for asphalt and frozen grounds, width 200mm/7.8in
XHD1200-250 Tungsten	with tungsten teeth for asphalt and frozen grounds, width 250mm/9.8in
XHD1200-300 Tungsten	with tungsten teeth for asphalt and frozen grounds, width 300mm/11.8in
XHD1500-150 Earth	with earth teeth for soft grounds, width 150mm/5.9in
XHD1500-200 Earth	with earth teeth for soft grounds, width 200mm/7.8in
XHD1500-150 Combi	with earth and tungsten teeth for different grounds, width 150mm/5.9in
XHD1500-200 Combi	with earth and tungsten teeth for different grounds, width 200mm/7.8in
XHD1500-150 Tungsten	with tungsten teeth for asphalt and frozen grounds, width 150mm/5.9in
XHD1500-200 Tungsten	with tungsten teeth for asphalt and frozen grounds, width 200mm/7.8in

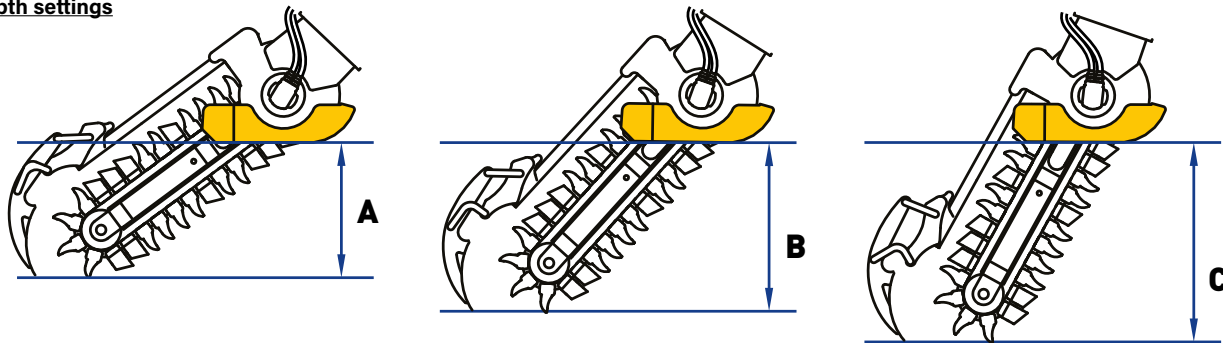
### Technical data

	XHD900	XHD1200	XHD1500
Hydraulic pressure:	180 - 240 bar / 2,610 - 3,480 psi	180 - 240 bar / 2,610 - 3,480 psi	180 - 240 bar / 2,610 - 3,480 psi
Oil flow:	60 - 95 l/min / 16 - 25.1 GPM	70 - 115 l/min / 18.5 - 30.3 GPM	80 - 135 l/min / 21 - 35.6 GPM

# Info and Mounting Options for Trenchers

## Depth options and chains

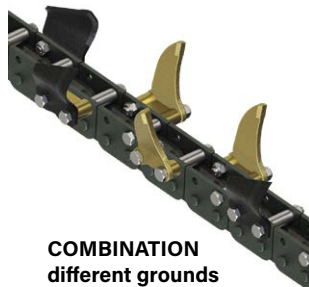
### Depth settings



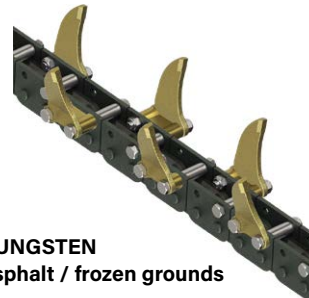
### Chain options



**EARTH**  
soft grounds



**COMBINATION**  
different grounds

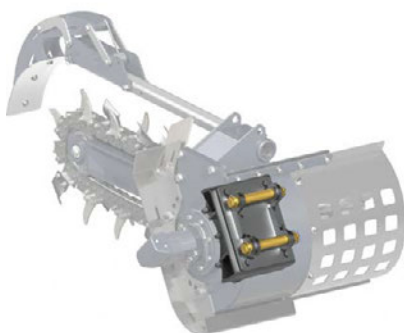


**TUNGSTEN**  
asphalt / frozen grounds

Trench depth	Operating weight excavator			Skid steer loader - low flow			Skid steer loader - high flow		
	2-2.5 t 4,400-5,500lbs	2.5-3 t 5,500-6,600lbs	3-3.5 t 6,600-7,700lbs	3.6-4 t 7,920-8,800lbs	4-4.5 t 8,800-9,900lbs	4.5-5 t 9,900-11,000lbs	5-6 t 11,000-13,200lbs	6-7 t 13,200-15,400lbs	7-10 t 15,400-22,000lbs
600mm 23.6in	MT600	MT600	MT600	MT600	MT600				
900mm 35.4in			MT900	MT900	MT900*	MT900*	XHD900-2K	XHD900-2K	XHD900-4K
1,200mm 47.2in							XHD1200-2K	XHD1200-2K	XHD1200-2K
								XHD1200-4K	
1,500mm 59in								XHD1500-4K	XHD1500-4K

\* here 2K-motor required - on request

## Adapters for rigid mount on excavators



Type	for trenchers	Pin Ø (mm/in)	Operating weight (t/lbs)
KM 690-MT-30	MT600 / MT900	30 / 1.18	2.5 - 4.5 / 5,500 - 9,900 3 - 7 / 6,600 - 15,400
KM 690-MT-35	MT600 / MT900	35 / 1.38	2.5 - 4.5 / 5,500 - 9,900 3 - 7 / 6,600 - 15,400
KM 690-MT-38	MT600 / MT900	38 / 1.49	2.5 - 4.5 / 5,500 - 9,900 3 - 7 / 6,600 - 15,400
KM 690-MT-40	MT600 / MT900	40 / 1.57	2.5 - 4.5 / 5,500 - 9,900 3 - 7 / 6,600 - 15,400
KM 690-MT-45	MT600 / MT900	45 / 1.77	2.5 - 4.5 / 5,500 - 9,900 3 - 7 / 6,600 - 15,400
KM 690-XHD-40	XHD900 / XHD1200 / XHD1500	40 / 1.57	5 - 7.5 / 11,000 - 16,500 5 - 10 / 11,000 - 22,000
KM 690-XHD-45	XHD900 / XHD1200 / XHD1500	45 / 1.77	5 - 7.5 / 11,000 - 16,500 5 - 10 / 11,000 - 22,000
KM 690-XHD-50	XHD900 / XHD1200 / XHD1500	50 / 1.97	5 - 7.5 / 11,000 - 16,500 5 - 10 / 11,000 - 22,000
KM 690-XHD-55	XHD900 / XHD1200 / XHD1500	55 / 2.17	5 - 7.5 / 11,000 - 16,500 5 - 10 / 11,000 - 22,000
KM 690-XHD-60	XHD900 / XHD1200 / XHD1500	60 / 2.36	5 - 7.5 / 11,000 - 16,500 5 - 10 / 11,000 - 22,000

## Adapters for system L-Lock



Type	for trenchers	Operating weight (t/lbs)
KWS03 rigid	MT600 / MT900	2.5 - 4.5 / 5,500 - 9,900 3 - 7 / 6,600 - 15,400
KSW08 rigid	XHD900 / XHD1200 / XHD1500	5 - 7.5 / 11,000 - 16,500 5 - 10 / 11,000 - 22,000

Request? exc@kinshofer.com