

Stump Planer & Log Splitter 1-8t / 2,200-17,600lbs

SP / Log Splitter

The robust stump planers for excavators up to 8t / 17,600lbs and skidsteers guarantee an efficient and clean removal of tree stumps. The robust stump planers are compatible to the most earth drills offered here.

The log splitter for excavators with up to 8t / 17,600lbs operating weight provide for an effective and simple log splitting.

Stump Planer:

- ▷ Different hub options suitable to the respective earth drill available.
- ▷ The **unique pilot** is drilling into the tree stump and pulling down the planer unerringly.
- ▷ Due to the arrangement of the blades, a new cut is done at each turn.
- ▷ The tree stump is planed off to **small and easy to clean splints**.

Log Splitter:

- ▷ Pilot and splitter with **self-guiding thread**.
- ▷ Pilot made of **hardened steel**.



Stump Planers SP250 / SP350

Type	Operating weight (t/lbs)	For earth drills	Diameter (mm/in)	Length (mm/in)	Weight (kg/lbs)	Hub options (specify when ordering) (mm/in)
SP250-65	1 - 5 / 2,200 - 11,000	X2500 - 4500 MAX	250 / 9.8	635 / 25	25 / 55	65 / 2.5 round
SP250-75	1 - 5 / 2,200 - 11,000	X2500 - 4500 MAX	250 / 9.8	635 / 25	25 / 55	75 / 2.9 square
SP350-65	4.5 - 8 / 9,900 - 17,600	5000 - 8000MAX	350 / 13.7	675 / 26.5	33 / 72.6	65 / 2.5 round
SP350-75	4.5 - 8 / 9,900 - 17,600	5000 - 8000MAX	350 / 13.7	675 / 26.5	33 / 72.6	75 / 2.9 square

Package consists of: stump planer

Log Splitter

Type	Operating weight (t/lbs)	For earth drills	Diameter (mm/in)	Length (mm/in)	Weight (kg/lbs)	Hub options (mm/in)
Log Splitter	1 - 8 / 2,200 - 17,600	X1500 - 8000MAX	180 / 7.0	300 / 11.8	13 / 28.6	65 / 2.5 round

Only use in combination with cradle hitch with lock pin - see below: Accessories.

Package consists of: log splitter

Accessories

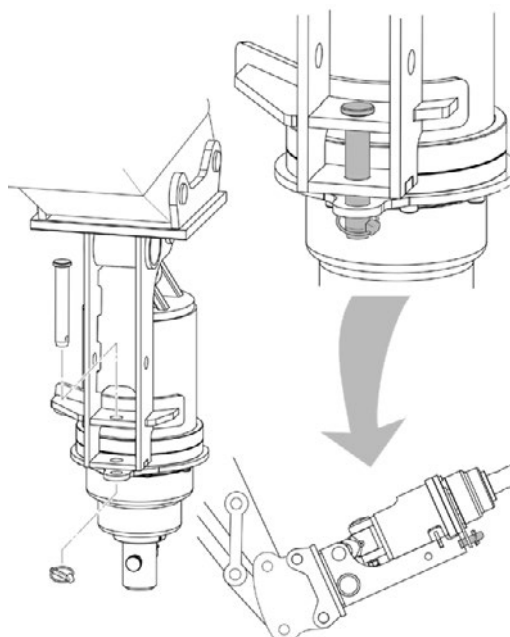
Type	Description
KM 690-X1500-X2500 Cradle Lock	lock pin for cradle hitch X1500 - X2500
KM 690-3000MAX-4500MAX Cradle Lock	lock pin for cradle hitch 3000MAX - 4500MAX
KM 690-5500MAX-8000MAX Cradle Lock	lock pin for cradle hitch 5500MAX - 8000MAX

Technical drawings

SP350



When the stump planer has cut deep enough, a new cutting position can be set and the procedure repeated until the stump is removed.



Obligatory cradle hitch with lock pin for Log Splitter