

With the compact RC rotary coupler you increase the freedom of movement in the entire working area of the excavator. Thanks to the robust and low construction (it is firmly bolted to the boom), the maximum breakaway and ripping forces are achieved.

In addition to the usual movement, each attachment can be endlessly rotated by 360°. This enables more flexible and faster work without moving the excavator.

The newly gained freedom of movement allows work to be carried out more precisely, which saves additional manual work steps.

Here in combination with the proven L-Lock quick coupling system.



- ▷ All hydraulic quick couplers system L-Lock are equipped with drop stop claws as standard! The Kinshofer quick coupler systems thus fully comply with all applicable national and international standards and regulations, including Machinery Directive 2006/42/EG, DIN EN 474-1, ISO13031 and SUVA.
- ▷ **Compact and low design.**
- ▷ **More flexibility due to 360° rotation.**
- ▷ **Low height** – thus **high breakaway force.**
- ▷ **Low maintenance.**
- ▷ **Lower quick coupler with mechanic or hydraulic locking available.**

Mechanic Rotary Couplers RC KMS-L

Type	Width A (mm/in)	Width B (mm/in)	Height C* (mm/in)	Weight* (from kg/lbs)	Rotations/min (@l/min / GPM)	Torque** (kNm/ft.lb)	Operating weight (t/lbs)
RC02 KMS01L	150 / 5.9	120 / 4.7	84 / 3.3	30 / 66	8.5@4 / 1.1	0.6 / 443	0.9 - 2.6 / 1,980 - 5,720
RC04 KMS03L	150 / 5.9	120 / 4.7	84 / 3.3	30 / 66	8.5@16 / 4.2	2 / 1,475	2.5 - 3.8 / 5,500 - 8,360
RC06 KMS03L	200 / 7.9	150 / 5.9	110 / 4.3	78 / 171	8.5@26 / 6.9	4.5 / 3,319	3.8 - 6 / 8,360 - 13,200
RC10 KMS08L	228 / 8.9	175 / 6.9	145 / 5.7	98 / 215	8.5@40 / 10.6	7.5 / 5,531	6 - 10 / 13,200 - 22,000

*w/o quick coupler and upper bracket; **@360° constant

Package consists of: upper bracket, rotation drive, mechanic quick coupler, socket

Hydraulic Rotary Couplers RC KHS-L (with drop stop claws)

Type	Width A (mm/in)	Width B (mm/in)	Height C* (mm/in)	Weight* (from kg/lbs)	Rotations/min (@l/min / GPM)	Torque** (kNm/ft.lb)	Operating weight (t/lbs)
RC02 KHS01L	150 / 5.9	120 / 4.7	84 / 3.3	30 / 66	8.5@4 / 1.1	0.6 / 443	0.9 - 2.6 / 1,980 - 5,720
RC04 KHS03L	150 / 5.9	120 / 4.7	84 / 3.3	30 / 66	8.5@16 / 4.2	2 / 1,475	2.5 - 3.8 / 5,500 - 8,360
RC06 KHS03L HD	200 / 7.9	150 / 5.9	110 / 4.3	78 / 171	8.5@26 / 6.9	4.5 / 3,319	3.8 - 6 / 8,360 - 13,200
RC10 KHS08L	228 / 8.9	175 / 6.9	145 / 5.7	98 / 215	8.5@40 / 10.6	7.5 / 5,531	6 - 10 / 13,200 - 22,000

*w/o quick coupler and upper bracket; **@360° constant

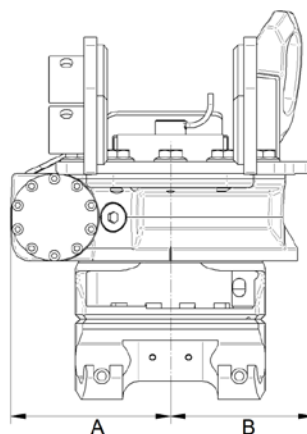
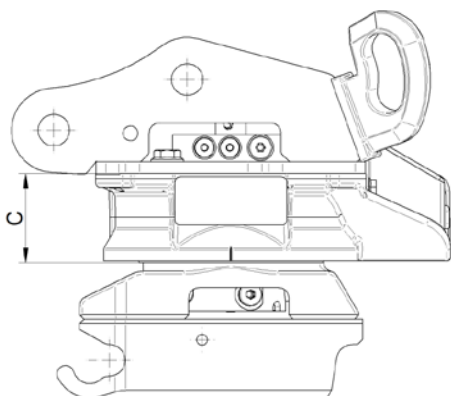
Package consists of: upper bracket, rotation drive, hydraulic quick coupler with drop stop claws

Technical data and hydraulics RC

Type	Breakout force max. (ISO) (kN/kNm / lbf/ft.lb)	Bucket width max. (mm/in)	Recommended oil flow rotate (l/min / GPM)	Hydraulic pressure rotate max. (bar/psi)
RC02	28/20 / 6,160/14,750	800 / 31.5	3 - 4 / 0.8 - 1.1	175 / 2,520
RC04	32/23 / 7,040/16,963	1,100 / 43.3	6 - 16 / 1.6 - 4.2	175 / 2,520
RC06	43/35 / 9,460/25,813	1,200 / 47.2	18 - 26 / 4.8 - 6.9	250 / 3,600
RC10	75/79 / 16,500/58,263	1,600 / 63	30 - 40 / 7.9 - 10.6	250 / 3,600

Requirements of carrier machine for RC KHS-L

	Quick coupler	Rotation drive
Hydraulic system:	one single acting hydraulic circuit up to RC04 one double acting hydraulic circuit from RC06	one double acting hydraulic circuit
Note:	excavator needs to be equipped with quick coupler control	

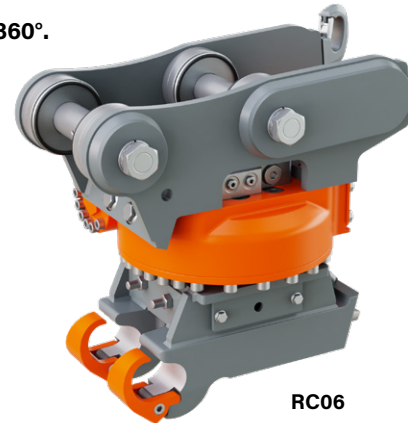


With the compact RC rotary coupler you increase the freedom of movement in the entire working area of the excavator. Thanks to the robust and low construction (it is firmly bolted to the boom), the maximum breakaway and ripping forces are achieved.

In addition to the usual movement, each attachment can be endlessly rotated by 360°. This enables more flexible and faster work without moving the excavator.

The newly gained freedom of movement allows work to be carried out more precisely, which saves additional manual work steps.

Here in combination with the proven L-Lock quick coupling system.



RC06

- ▷ All hydraulic quick couplers system L-Lock are equipped with drop stop claws as standard! The Kinshofer quick coupler systems thus fully comply with all applicable national and international standards and regulations, including Machinery Directive 2006/42/EG, DIN EN 474-1, ISO13031 and SUVA.
- ▷ **Compact and low design.**
- ▷ **More flexibility due to 360° rotation.**
- ▷ **Low height** – thus **high breakaway force.**
- ▷ **Low maintenance.**
- ▷ **Lower quick coupler with mechanic or hydraulic locking available.**

Mechanic Rotary Couplers RC KMS-L

Type	Width A (mm/in)	Width B (mm/in)	Height C* (mm/in)	Weight* (from kg/lbs)	Rotations/min (@l/min / @GPM)	Torque** (kNm/ft.lb)	Operating weight (t/lbs)
RC19 KMS10L	243 / 9.5	233 / 9.1	186 / 7.3	299 / 658	8.5@50 / @13.2	12 / 8,850	14 - 19 / 30,800 - 41,800
RC25 KMS21L	265 / 10.4	265 / 10.4	220 / 8.7	405 / 891	8.5@60 / @15.9	15 / 11,063	19 - 25 / 41,800 - 55,000
RC33 KMS25L	-	-	-	-	-	-	25 - 33 / 55,000 - 72,600

*w/o quick coupler and upper bracket; **@360° constant

Package consists of: upper bracket, rotation drive, mechanic quick coupler, socket

Hydraulic Rotary Couplers RC KHS-L (with drop stop claws)

Type	Width A (mm/in)	Width B (mm/in)	Height C* (mm/in)	Weight* (from kg/lbs)	Rotations/min (@l/min / @GPM)	Torque** (kNm/ft.lb)	Operating weight (t/lbs)
RC19 KHS10L	243 / 9.5	233 / 9.1	186 / 7.3	299 / 658	8.5@50 / @13.2	12 / 8,850	14 - 19 / 30,800 - 41,800
RC25 KHS21L	265 / 10.4	265 / 10.4	220 / 8.7	405 / 891	8.5@60 / @15.9	15 / 11,063	19 - 25 / 41,800 - 55,000
RC33 KHS25L	-	-	-	-	-	-	25 - 33 / 55,000 - 72,600

*w/o quick coupler and upper bracket; **@360° constant

Package consists of: upper bracket, rotation drive, hydraulic quick coupler with drop stop claws

Technical data and hydraulics RC

Type	Breakout force max. (ISO) (kN/kNm / lbf/ft.lb)	Bucket width max. (mm/in)	Recommended oil flow rotate (l/min / GPM)	Hydraulic pressure rotate max. (bar/psi)
RC19	150/200 / 33,000/147,500	1,800 / 70.8	40 - 50 / 10.6 - 13.2	250 / 3,600
RC25	170/250 / 37,400/184,375	2,000 / 78.7	50 - 60 / 13.2 - 15.9	250 / 3,600
RC33	205/330 / 45,100/243,375	2,200 / 86.6	60 - 80 / 15.9 - 21.1	250 / 3,600

Requirements of carrier machine for RC KHS-L

	Quick coupler	Rotation drive
Hydraulic system:	one double acting hydraulic circuit	one double acting hydraulic circuit
Note:	excavator needs to be equipped with quick coupler control	

