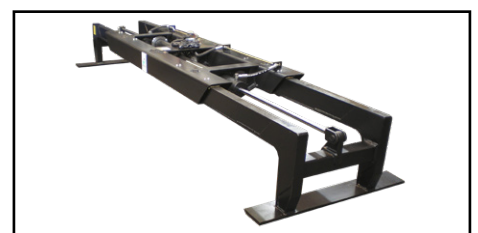
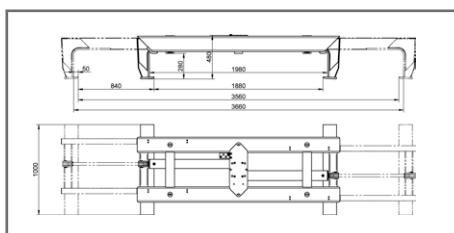
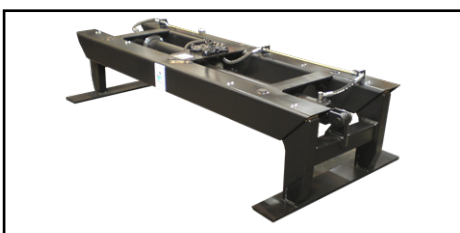
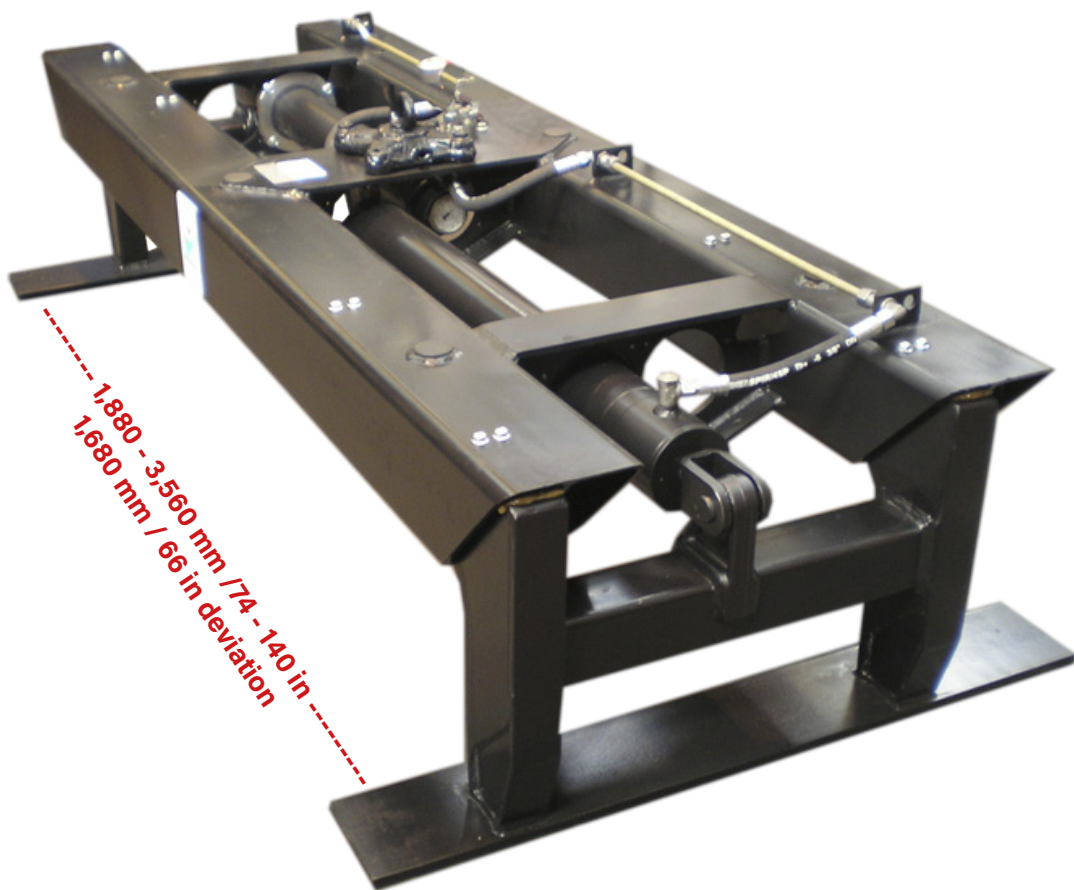




KINSHOFER
crane and excavator attachments

Hydraulic Gripper for Steel Plates KM 332 Special

Special and Custom Solutions



700421/2011

Hydraulic Gripper for Steel Plates

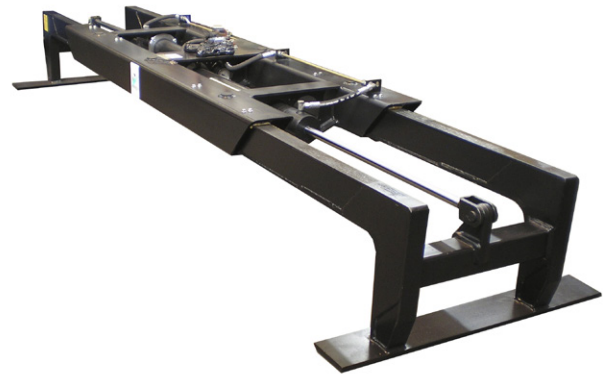
KM 332 Special

Based on the proven brick stack grapple KM 332, **KINSHOFER** has now constructed a gripper that has been developed especially for the handling of steel plates.

This new gripper has an extremely large, hydraulic and absolutely synchronal adjustment range of 1,680 mm / 66 in!

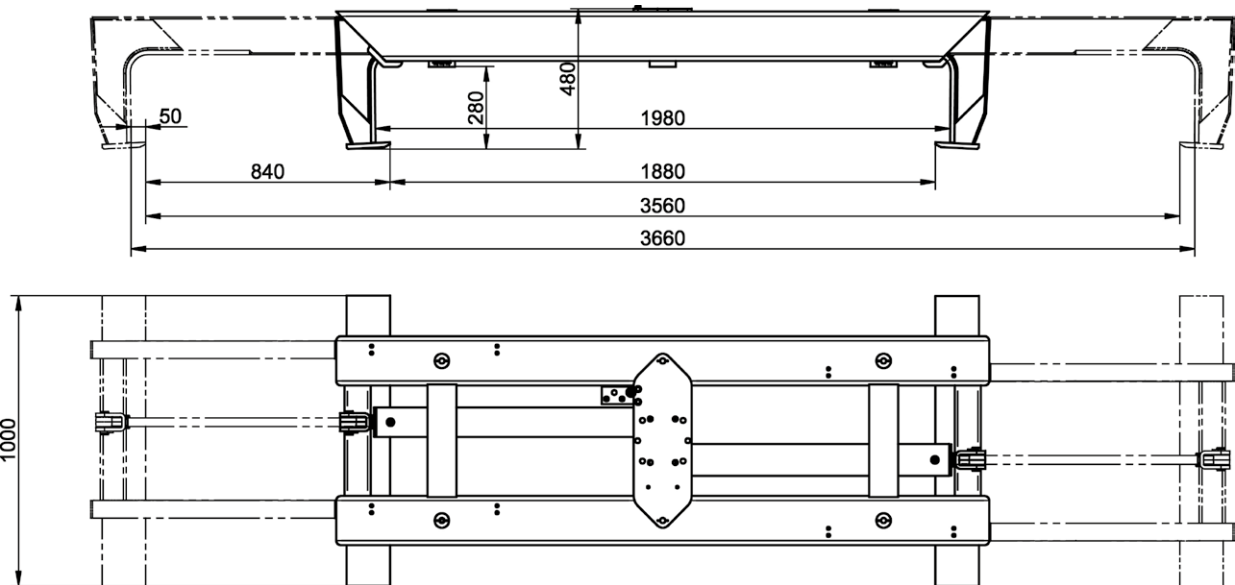
Even large plates can be gripped securely and trouble-free.

Integrated non-return valves guarantee a secure retention of loads and thus a safe operation with the tool. In combination with the proven Kinshofer-rotator the steel plates can be easily and securely handled and precisely positioned.



TECHNICAL DATA:

Operating pressure:	24 - 32 MPa (240 - 320 bar) / 3,455 - 4,610 psi
Pump capacity:	25 - 75 l/min / 6.6 - 19.8 GPM
Load capacity:	2,500 kg / 5,500 lbs
Closing force:	30 kN / 6,600 lbf
Weight:	464 kg / 1,021 lbs



We reserve the right to amend specifications without prior notice! **KINSHOFER** GmbH, D-83607 Holzkirchen, Germany

KINSHOFER Branches

Headquarters Germany:
KINSHOFER GmbH
Raiffeisenstrasse 12
83607 Holzkirchen
Germany
Tel.: +49 (0) 8021 88 99 0
Email: info@kinshofer.com
www.kinshofer.com



KINSHOFER is an
ISO 9001 certified Company.
DVS ZERT is a registered trademark
of DVS ZERT e.V., Düsseldorf.

