

## Hydraulic hook KM 920-5 in different versions including Kinshofer rotator for tools and loads with ring system.

- ▷ **Low overall height** due to compact design.
- ▷ **Precise positioning** in combination with KINSHOFER rotator.
- ▷ The **safety load hook** is equipped with a hydraulic cylinder for opening/closing without opening unintentionally in a loaded condition.
- ▷ Suitable for the hydraulic suspension of pallet forks with vertical crane hook suspension or with additional hook (version B) for the fast and precise load suspension with e.g. tightropes, lashing straps, etc. and the following release of the loads (version C w/o additional hook).
- ▷ Including **integrated locking indicator**.
- ▷ Versions B **with switch valve/CEJN Multi-X-couplings**: for the hydraulic suspension and operation of universal forks and other hydraulic attachments with vertical crane hook suspension; with additional load hook by default.
- ▷ All versions can also open and empty containers with only one suspension opening (measurements container flap see drawing below).

here  
version B



### KM 920-5 for tools and loads with ring system

Type	Width (mm)	Load capacity (kg)	Ring - Ø max. (mm)	Height (w/rotator) (mm)	Weight (kg)	Operating pressure at oil flow
<b>KM 920-5Bc</b>	313	4500	30	480	58	37 MPa (370 bar) at 2 - max. 10 l/min
<b>KM 920-5Cc</b>	305	4500	30	480	57	37 MPa (370 bar) at 2 - max. 10 l/min

**Package consists of:** hydraulic hook (B incl. load hook; C excl. load hook), rotator KM 04 F, short connection hoses KM 203 01, upper suspension KM 501 (4500), non-return valve

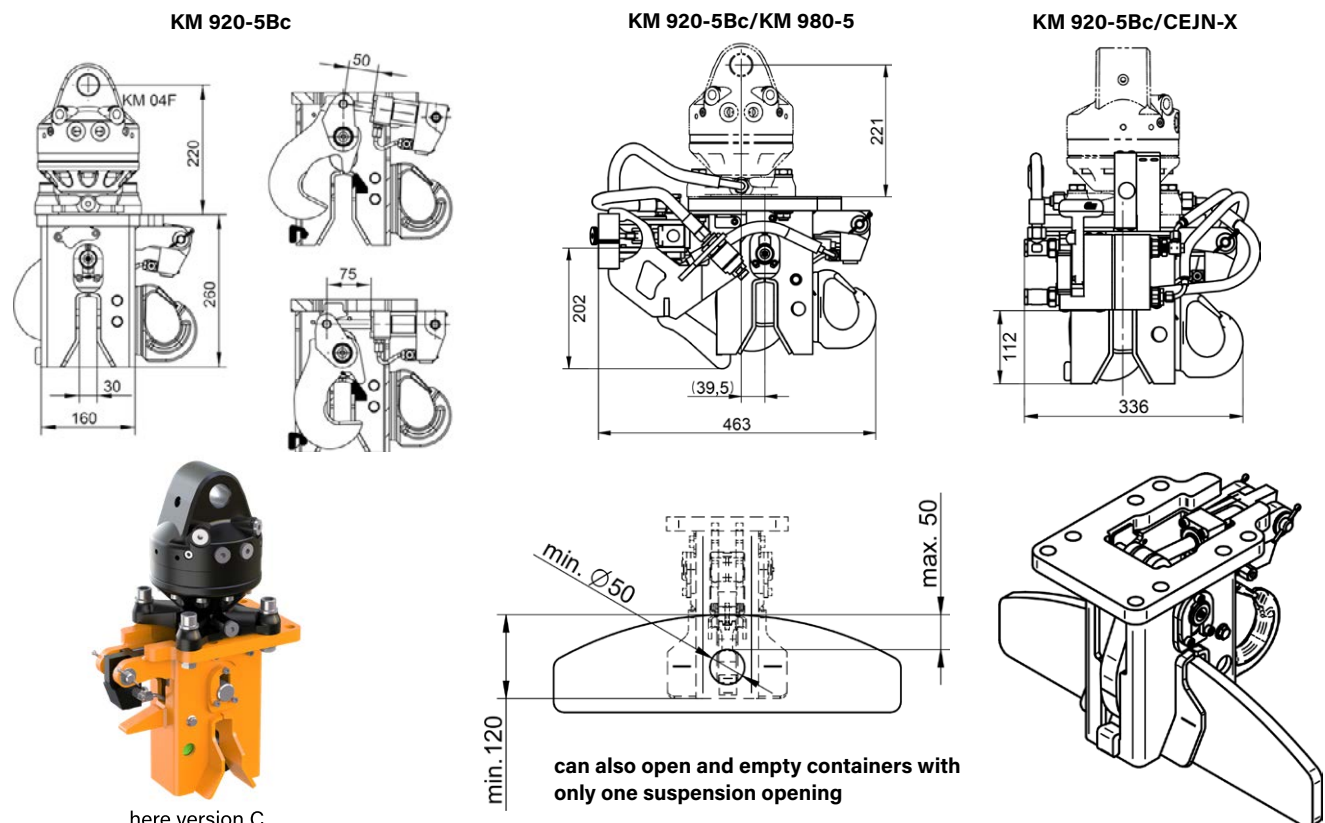
### KM 920-5 with hook and switch valve / CEJN Multi-X-couplings

Type	Width (mm)	Load capacity (kg)	Ring - Ø max. (mm)	Height (w/rotator) (mm)	Weight (kg)	Operating pressure at oil flow
<b>KM 920-5Bc/KM 980-5</b>	463	4500	30	485	68	35 MPa (350 bar) at 2 - max. 10 l/min
<b>KM 920-5Bc/CEJN-X</b>	336	4500	30	480	69	35 MPa (350 bar) at max. 80 l/min

**Package consists of** hydraulic hook incl. load hook, rotator KM 04 F, switch valve, short connection hoses KM 203 01, upper suspension KM 501 (4500), non-return valve

**Package consists of** hydraulic hook incl. load hook, rotator KM 04 F, CEJN Multi-X DUO10 couplings (set), short connection hoses KM 203 01, upper suspension KM 501 (4500), non-return valve

### Technical drawings



**Hydraulic hook KM 920-4 for containers and loads with ring system**

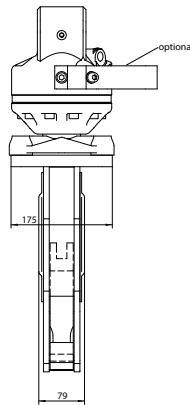
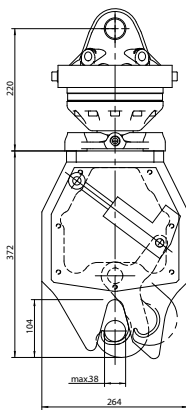
The hydraulic hook facilitates the fast and precise lifting and loosening of containers and loads with ring system.

- ▷ **Precise positioning** in combination with KINSHOFER rotator.
- ▷ **Low overall height** due to compact design.
- ▷ **Robust mechanics** with hydraulic cylinder (open/close).
- ▷ V-shaped cutout **facilitates ring suspension**.
- ▷ Rotator with vertical oil ducts, so **no open short hose** connections.

Type	Width (mm)	Height (with motor) (mm)	Ring - Ø max. (mm)	Self weight (incl. motor) (kg)	Load capacity max. (kg)	Operating pressure at oil flow
<b>KM 920-4c</b>	264	592	38	46	2500	20 MPa (200 bar) at 2 - max. 10 l/min <b>Mind the pressure!</b>

**Package consists of:** hydraulic hook, rotator KM 04 F140-30V, upper suspension KM 501 (4500), non-return valve

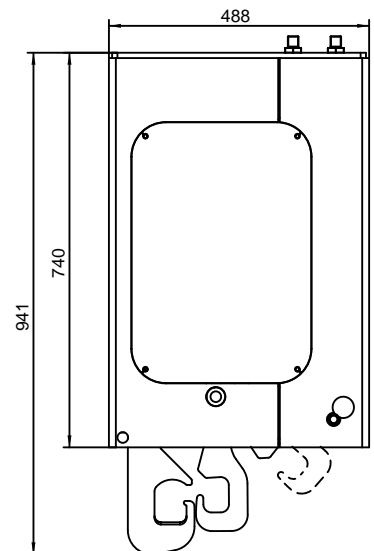
**Technical drawings**



**KINSHOFER** container discharge attachments with ring system or the fast KINSHOFER mushroom system are characterised by short cycle times and an attractive acquisition price. Containers can be emptied even faster and more cost effectively with a one-man operation.

**Container discharge unit KM 920-1 with ring system / low overall height**

- ▷ **Low overall height** due to compact design.
- ▷ **Extremely low maintenance and ecofriendly**, because no bearing has to be lubricated.
- ▷ **Hooks on automatically** when container is lifted.
- ▷ **Precise positioning** with KINSHOFER rotator.
- ▷ Protection against damage of container by **automatic lift stop**.
- ▷ Available with **two load capacities** (version A and B).



Type	max. Lift of the hook (mm)	Load capacity (kg)	Height (incl. rotator) (mm)	Self weight* (kg)	Operating pressure at oil flow
<b>KM 920-1-Ac</b>	500	4500	1160	174	35 MPa (350 bar) at 40 l/min
<b>KM 920-1-Bc</b>	500	2500	1160	174	35 MPa (350 bar) at 40 l/min

\* incl. motor / excl. upper suspension & pendulum damper

**Package consists of:** container discharge unit, KINSHOFER-rotator KM 04 F, connecting tubes, upper suspension with pendulum damper KM 511 (4500), non-return valve