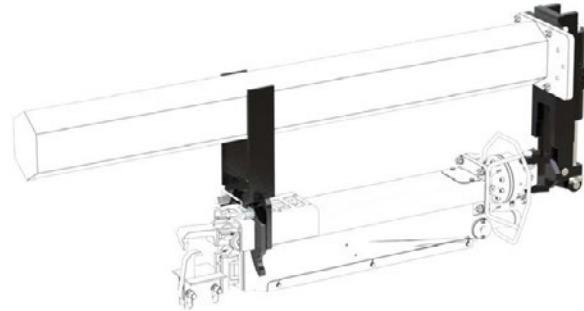


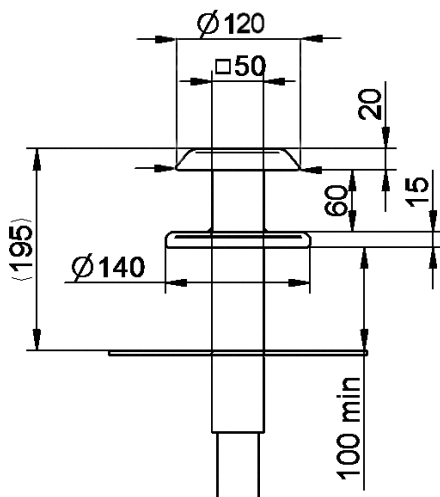
**Docking device for container discharge units KM 920-11, KM 920-12 and KM 921**

Type	Description	Tilting angle (deg.)	Self weight (kg)
KM 924	docking device for container discharge units: it allows the discharge unit to be hydraulically docked and locked onto the crane jib. When unlocked, acts as a hydraulic pendulum damper. A solenoid valve for switch-over between the hydraulic circuits is included. Please state crane model when ordering. Operating pressure <b>max. 28 MPa (280 bar)</b> .	90°	70

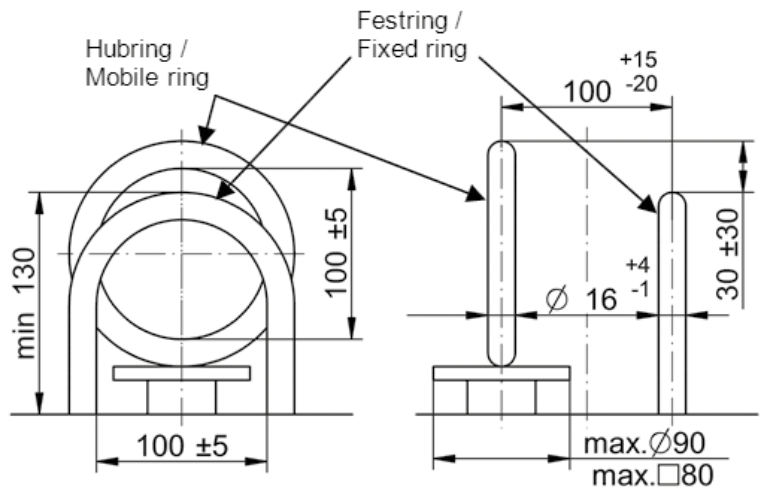


**Dimensions for containers with KINSHOFER mushroom or ring system**

mushroom system for containers



ring system for containers



**mushroom and ring system: leverage hoisting max. 500 mm**

**Mushroom system at container**  
 Usage only for containers with mushroom system with dimensions as shown above that are equipped with „ORIGINAL KINSHOFER FIXED and HOIST DISCS“. (According to DIN EN 13071-3)



**Ring system at container**  
 Usage only for containers with ring system with dimensions as shown above .  
**Hoist ring at container with max. lifting height 500 mm.**